



**Hemisphere West Europe**  
PAYMENT SPECIALISTS

wh münzprüfer  
berlin gmbh

**wh Münzprüfer Berlin**

## CIS 100 / CIF 100 Coin Feeder



### **Bulk Coin Insertion System**

Automated coin separation system

High capacity insertion bowl

EMP800 coin acceptor

Intermediate coin storage

**Distributed by:**



**HEMISPHERE WEST EUROPE LTD**  
Unit 85-87 Shrivenham Hundred Business Park,  
Majors Road, Watchfield, Oxfordshire,  
SN6 8TY UK

+44 (0) 1793 780461  
[www.hweurope.com](http://www.hweurope.com)  
[sales@hweurope.com](mailto:sales@hweurope.com)



**Hemisphere West Europe**  
PAYMENT SPECIALISTS

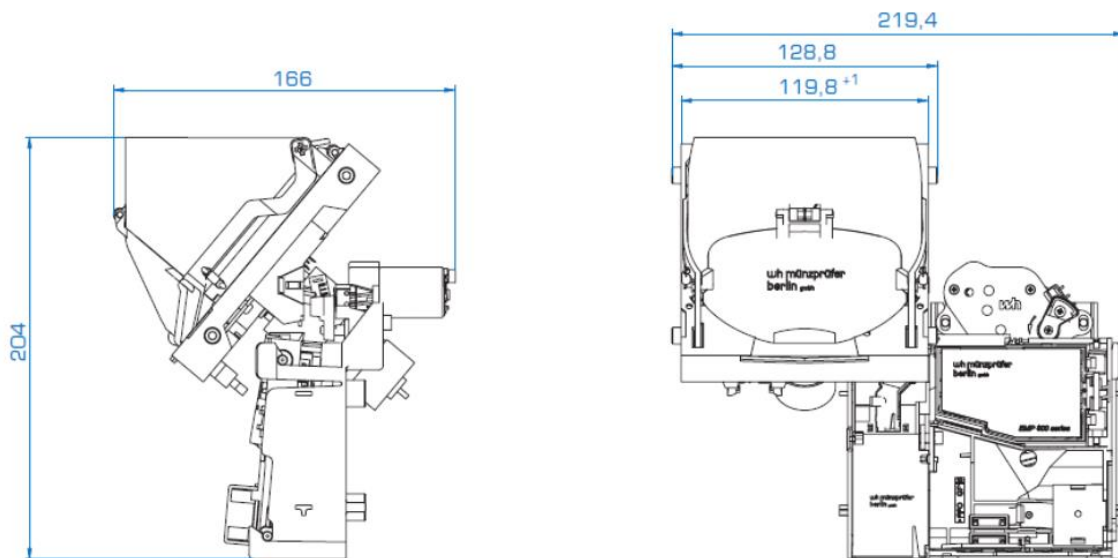
wh münzprüfer  
berlin gmbh

## For Automated Cash Systems

Designed for the automatic handling of coins in cashier systems in retail applications, the CIS100 system incorporates a collecting pan in which the customer may drop a mixture of coins. The CIS100 separates the coins and feeds them to the coin validator system consisting of the coin selector frame, electronic coin acceptor and electronic motor reject. All components are controlled via ccTalk interface. Float mounting of the coin insertion system ensures optimum performance and reliability.

## Modular Integration

The design of the coin separation system allows the modular integration in money handling systems with hoppers for dispensing change. The host system controls the coin separation system with respect to specific commands and status messages via the serial interface. The coin insertion process may be terminated at any time by activating the motor driven opening mechanism of the coin feeder. Remaining coins and possible foreign objects will be returned to the customer. The approximate coin processing speed is between 1.6 and 2.0 coins per second.



**Distributed by:**



**HEMISPHERE WEST EUROPE LTD**  
Unit 85-87 Shrivensham Hundred Business Park,  
Majors Road, Watchfield, Oxfordshire,  
SN6 8TY UK

+44 (0) 1793 780461  
[www.hweurope.com](http://www.hweurope.com)  
[sales@hweurope.com](mailto:sales@hweurope.com)